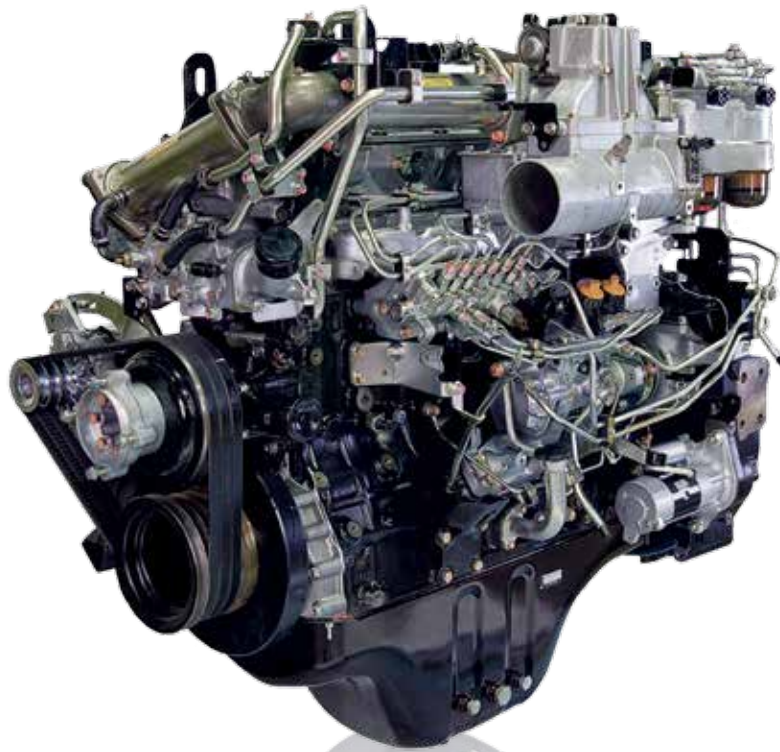




Dependable Power | 362 HP (270 KW) @ 2000 RPM (variable speed)

TAKE IT FURTHER

(and farther)



High technology exhaust after treatment provides the ideal level of applied simplicity and end user **performance to go farther.**

Certifications

U.S. EPA Tier **4**
EU Stage **IV**

isuzuengines.com



- Agricultural
- General Industrial
- Marine
- Eco-Friendly
- Automotive
- On Road Heavy Duty

Applications

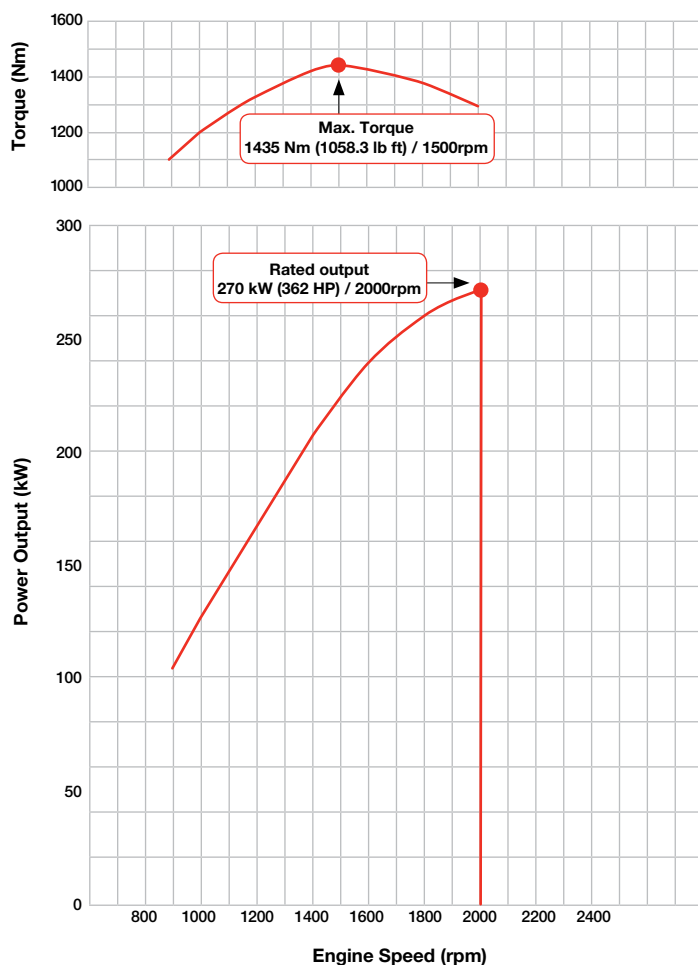
- AWP
- Water Pump
- Hydraulic Pump
- Refrigeration
- Generator
- Asphalt Paver
- Irrigation

ISUZU
DIESEL

The Strength to Work Harder.

Performance

Engine Performance Curves

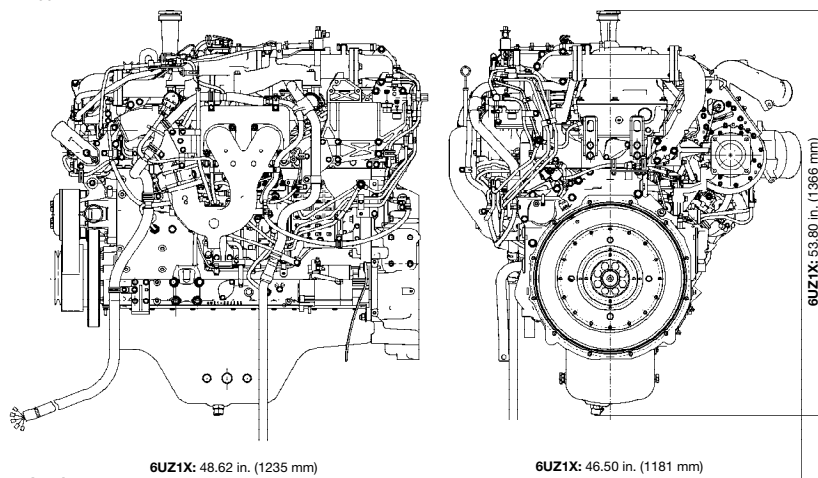


Standard

- Emission Control Device, maintenance free
- DOC & SCR
- Other emission-reducing features, including Cooled EGR, Wastegate Turbocharger
- High pressure Common Rail and Direct Injection
- Electric & self-priming fuel lift pump
- Glow plug starting aid
- 500-hour oil drain & service interval

Available Options

- Side or bottom drain oil pan
- SAE B Gear Case PTO
- Cooling packages
- Air cleaners
- Meter board and wire harness
- Engine mounting
- DEF System



For additional information, please contact Engines Plus Ltd

Engines Plus Ltd
Unit F, The Aquarius Centre, Edison Close
Waterwells Business Park, Quedgeley,
Glos, GL2 2FN. UK
Tel: + 44 (0) 1452 729707
Fax: + 44 (0) 1452 725194
E-mail: sales@enginesplus.co.uk