



Dependable Power | 512 HP (382 KW) @ 1800 RPM

# FEEL THE POWER

(every day)



High technology exhaust after treatment provides the ideal level of applied simplicity and end user **performance every day.**

# 6WG1

Agricultural General Industrial Marine Eco-Friendly Automotive On Road Heavy Duty



### Applications

- AWP
- Water Pump
- Hydraulic Pump
- Refrigeration
- Generator
- Asphalt Paver
- Irrigation

### Certifications

U.S. EPA Tier **4**  
EU Stage **IV**

[isuzuengines.com](http://isuzuengines.com)

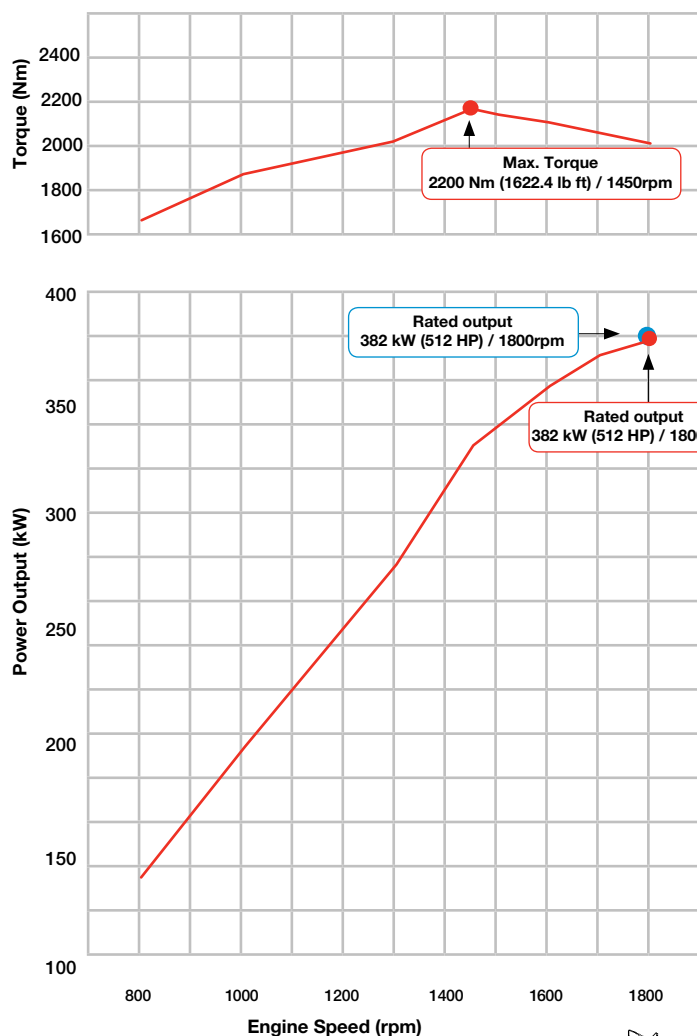


**ISUZU**  
DIESEL

# The Strength to Work Harder.

## Performance

### Engine Performance Curves



### Standard

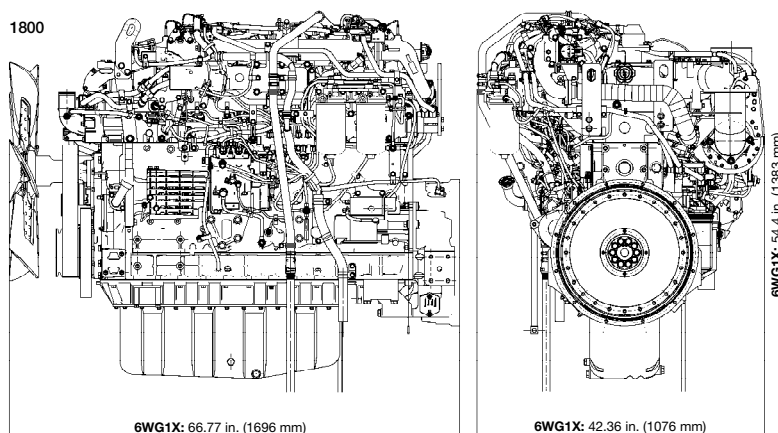
- Emission Control Device, maintenance free
- DOC & SCR
- Other emission-reducing features, including Cooled EGR, Wastegate Turbocharger
- High pressure Common Rail and Direct Injection
- Electric & self-priming fuel lift pump
- Glow plug starting aid
- 500-hour oil drain & service interval

### Available Options

- Side or bottom drain oil pan
- SAE B Gear Case PTO
- Cooling packages
- Air cleaners
- Meter board and wire harness
- Engine mounting
- DEF System

### Engine Performance Curves

- 6WG1 – Constant Speed
- 6WG1 – Variable Speed



For additional information, please contact Engines Plus Ltd

Engines Plus Ltd  
Unit F, The Aquarius Centre, Edison Close  
Waterwells Business Park, Quedgeley,  
Glos, GL2 2FN. UK  
Tel: + 44 (0) 1452 729707  
Fax: + 44 (0) 1452 725194  
E-mail: sales@enginesplus.co.uk