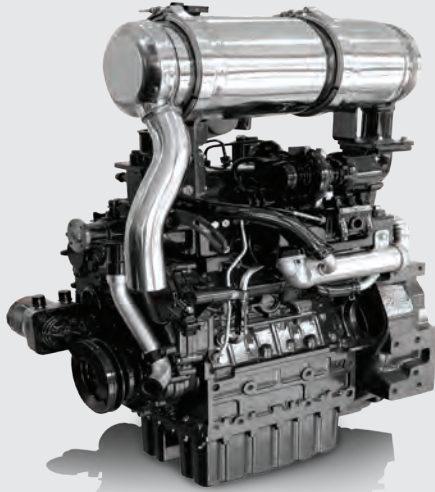
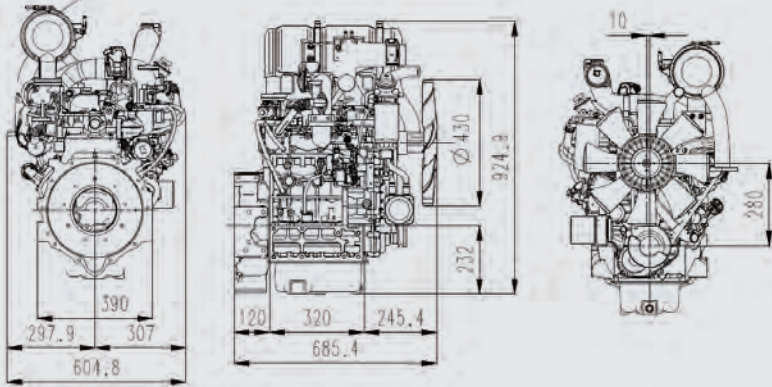


# 3FT Series Engine



Model	3F183T-45	3F183T-50	3F183T-55	
Type	Vertical Water-Cooled 4-Cycle Diesel Engine			
Emission compliance	Tier4.final(DPF) & Tier3			
Aspiration	Turbocharger			
Combustion type	Common Rail Direct Injection			
Max power	kW(HP)/rpm	33.6(45)/2600	37.3(50)/2600	41(55)/2600
Peak torque	Nm(kgfm)/rpm	148(15.1)/1700	166(16.9)/1700	181(18.4)/1700
Bare speed (low/high)	rpm	950 / 2700		
Dimension (LxWxH)	mm	685x605x925		
Dry weight	kg(lb)	238		
Governor type	Electronic Control			
Starter	12V-1.7kW			
Alternator	12V-75Amp			
Flywheel / Housing	mm(in)	190(7-1/2) / SAE #4 & Rear plate		
Coolant Capacity	L	3.4		
Engine Oil capacity	L	6.0		

## Dimension



## Performance

