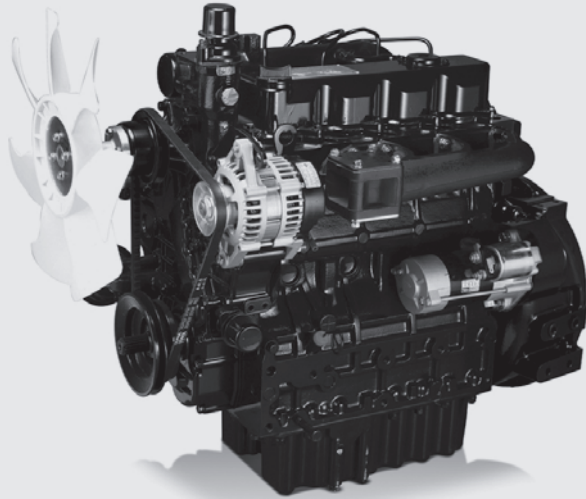
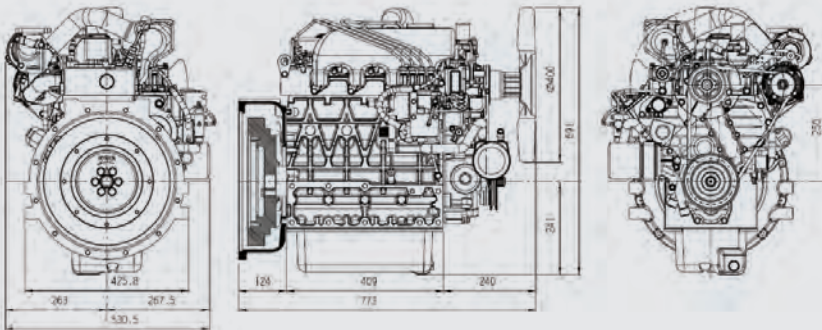


4A Series Engine



Model	4A220LW	4A220TLW	
Type	Vertical Water-Cooled 4-Cycle Diesel Engine		
Emission compliance	Tier3		
Aspiration	Naturally Aspirated	Turbocharger	
Combustion type	Swirl Chamber		
Max power	kW(HP)/rpm	33.6(45)/2600	40.3(54)/2600
Peak torque	Nm(kgfm)/rpm	140.3(14.3)/1700	174.6(17.8)/1700
Bare speed (low/high)	rpm	1000 / 2800	
Dimension (LxWxH)	mm	766x495x630	773x530x651
Dry weight	kg(lb)	207 (455)	210 (462)
Governor type	Mechanical		
Starter	12V-1.7kW		
Alternator	12V-50(70)Amp		
Flywheel / Housing	mm(in)	190(7-1/2) / SAE #4 & Rear plate	
Coolant Capacity	L	3.7	
Engine Oil capacity	L	8.0	9.0

Dimension



Performance

