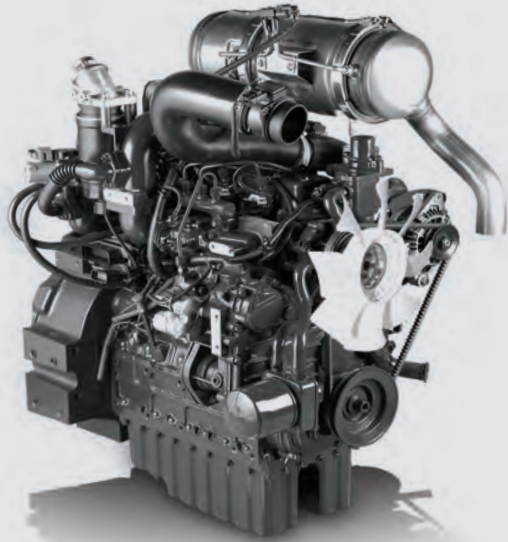
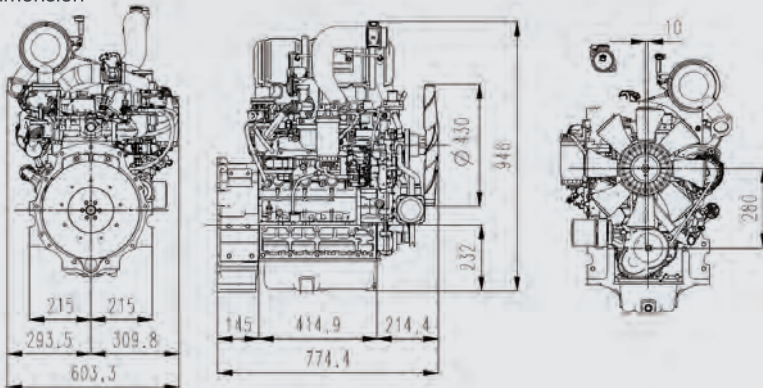


4FT Series Engine



Model	4F243T-60	4F243T-66	4F243T-73
Type	Vertical Water-Cooled 4-Cycle Diesel Engine		
Emission compliance	Tier4.final(DPF) & Tier3		
Aspiration	Turbocharger		
Combustion type	Common Rail Direct Injection		
Max power	kW(HP)/rpm 44.7(60)/2600	49.2(66)/2600	54.4(73)/2600
Peak torque	Nm(kgfm)/rpm 210(21.4)/1700	220(22.5)/1700	240(24.5)/1700
Bare speed (low/high)	rpm 850 / 2750		
Dimension (LxWxH)	mm 775x600x1009		
Dry weight	kg(lb) 279 (614)		
Governor type	Electronic Control		
Starter	12V-1.7kW		
Alternator	12V-75Amp		
Flywheel / Housing	mm(in) 190(7-1/2) / SAE #4 & Rear plate		
Coolant Capacity	L	4.2	
Engine Oil capacity	L	9.7	

Dimension



Performance

