

Tier 2

A 96.4 kW turbo-charged 4-cylinder engine

4BG1TC

- Environmental performance that meets Tier 2 regulations
- Powerful 96.4 kW output
- Environmentally friendly and economical with low fuel consumption
- Lightweight and compact, with outstanding quiet performance
- Highly rated around the world for reliability and durability

► Suitable for a wide range of applications



Excavator



General Power



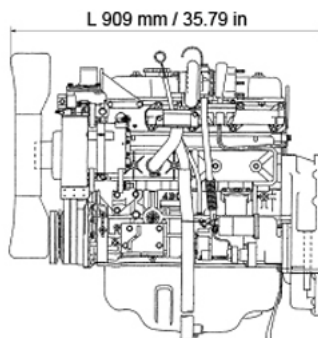
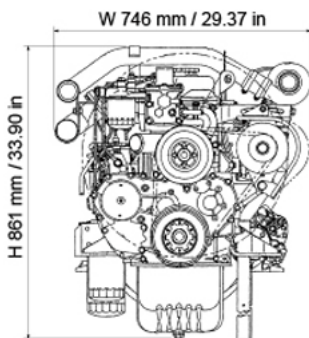
* Image shown may not reflect actual engine configuration.

Engine data for general power specifications

Specifications

Engine Model	4BG1TC	
Engine Characteristics	4-Cycle, Water Cooled, Vertical In-Line	
Valvetrain Configuration	Over Head Valve	
Type of Aspiration	Turbocharged and Charge Air Cooled	
Type of Injection	Direct	
No. of Cylinders	4	
Bore x Stroke	105 x 125 mm	4.13 x 4.92 in
Displacement	4.329 liters	264 cu.in
Overall Dimensions	Length	909 mm / 35.79 in
	Width	746 mm / 29.37 in
	Height	861 mm / 33.9 in
Dry Weight	370 kg	815 lb
Rated Output	96.4 / 2200 kW/min ⁻¹	129 / 2200 HP/rpm
Max. Torque	431 / 1800 N·m/min ⁻¹	318 / 1800 lb·ft/rpm

* The data on this data sheet are for information purposes only and are not binding values.

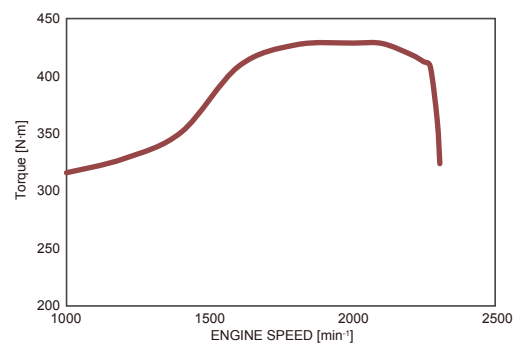


* Appearance diagrams shown may not reflect actual engine configuration.

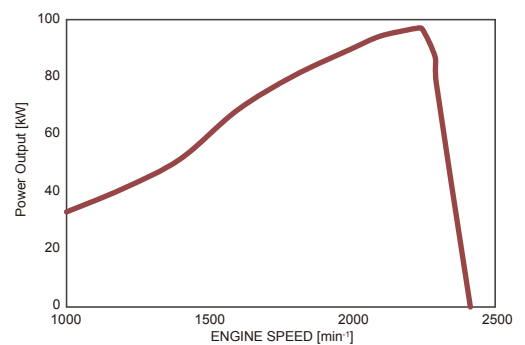
* Final dimensions are dependent on selected options.

Performance Curve

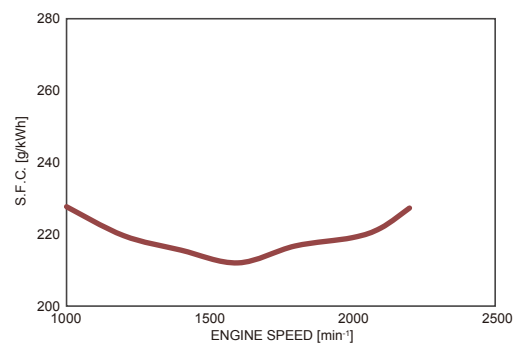
Torque



Power Output



Fuel Consumption



* Performance curves shown are representative.