

# S30-series

270ps [199kW] per ISO 8665



A world first: A groundbreaking development in outboard diesel technology.  
A high-power, low profile unit giving all the advantages of a traditional gasoline outboard engine combined with the economy of diesel power.

The S30-OB features the simplicity and reliability of shaft-drive Systems but with a trim function for optimum boat performance. Skippers will appreciate the innovative rope and debris avoidance feature so important to commercial operators, and engineers will appreciate the easy access for maintenance.

The unit can also be fitted with an optional hydraulic pump to power shipboard accessories such as winches or deck cranes.

## Technical Descriptions

### Engine

- Compacted Graphite Iron (CGI) cylinder block
- Aluminum head
- Nine balance weight crankshaft
- Oil cooled pistons
- V6, 24-valve DOHC
- Hydraulic lash adjusters
- Integrated water jacket
- Low noise duplex timing chain
- Hydraulic timing chain tensioner
- Single serpentine belt system
- Drive belt auto-tensioner

### Engine Mounting

- Adjustable engine mounts

### Lubrication System

- Easily exchangeable oil filter cartridge
- Electric oil extraction pump
- Seawater cooled transmission oil cooler
- Chain drive engine oil pump

### Fuel System

- Common rail direct injection (CRDi)
  - 1,800 bar new generation Piezo injectors
- Fuel filter with sensor detecting water in fuel
- Electric low pressure pump
- Dual pressure control valve
- High pressure fuel pumps

### Electrical System

- 12 volt system and 150A alternator
- Auxiliary engine stop button
- Glow plugs for a trouble-free cold start
- NMEA2000 Converter (Optional)
- 2 Pole system (Optional)
- Electronic control system (Optional)

### Cooling System

- Seawater pump driven directly from the camshaft
- Seawater cooled intercooler, heat exchanger
- Auxiliary connector for cabin heating
- Corrosion resistant material for seawater circuit

### Engine Operating Indicator (EOI)

- Engine self protection and diagnosis
- Displays CAN information
- Displays engine diagnostic error codes
- Audible alarm and control lamps

### Air Inlet system

- Oil wetted and reusable air filter
- Crankcase gas vented into the air inlet
- Intake silencer (Optional)

### Exhaust System

- Engine coolant cooled exhaust manifold
- Seawater cooled exhaust elbow
- Seawater cooled Hi-Riser (Optional)

### Turbocharger

- E-VGT, Electronic Variable Geometry Turbo

### Emissions

- US EPA Tier-III
- IMO Tier-II compliant

## Scope of Supply

	RATINGS <sup>1</sup>	OM	EOI	SeasLink***	GAUGES****	COUPLER	EOEP	SWP*	PSP*	BHA*	EE	EP	EHI-RISER*	TWO-POLE*	IS	IP	NMEA 2000 C	ELEC. CS	SW	M. CL	M. CC	SSS	HELM±90°B+C	AP	SSP	HSS
S30-OB	S5, S4	●	●	○	●	●	●	●	-	-	●	-	-	-	-	○	○	●	●	-	-	-	-	●	○	●

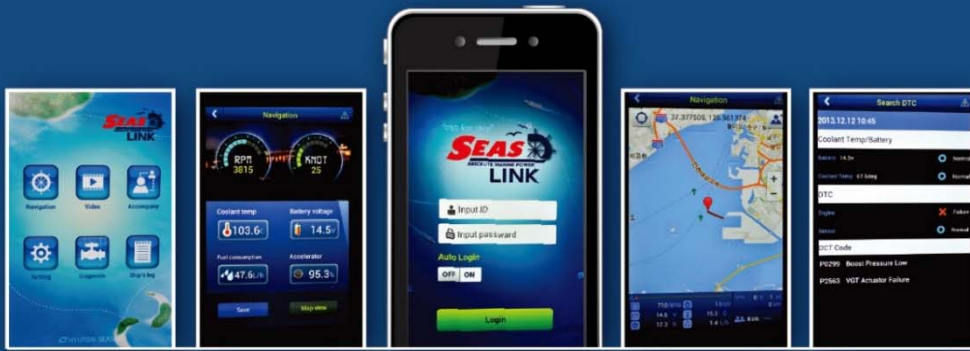
### 1. RATINGS

<b>S5</b>	PLEASURE DUTY
<b>S4</b>	SPECIAL PLEASURE DUTY SPECIAL LIGHT DUTY COMMERCIAL

2. INSTRUMENT BOX ASSEMBLY includes  
EOI BOX, RPM GAUGE and WIRING HARNESS

\* Factory-installed option, \*\* Standard or optional depending on market, \*\*\*Supply schedule may differ, \*\*\*\* Key switch assembly, tachometer ( rudder angle indicator for S30-OB, Trim gauge for Sterndrive )

To find out more about configurations and accessories available, please contact your nearest Hyundai SeasAll dealer or distributor.



**SEAS LINK**  
ABSOLUTE MARINE POWER

ON THE SMARTER PHONE

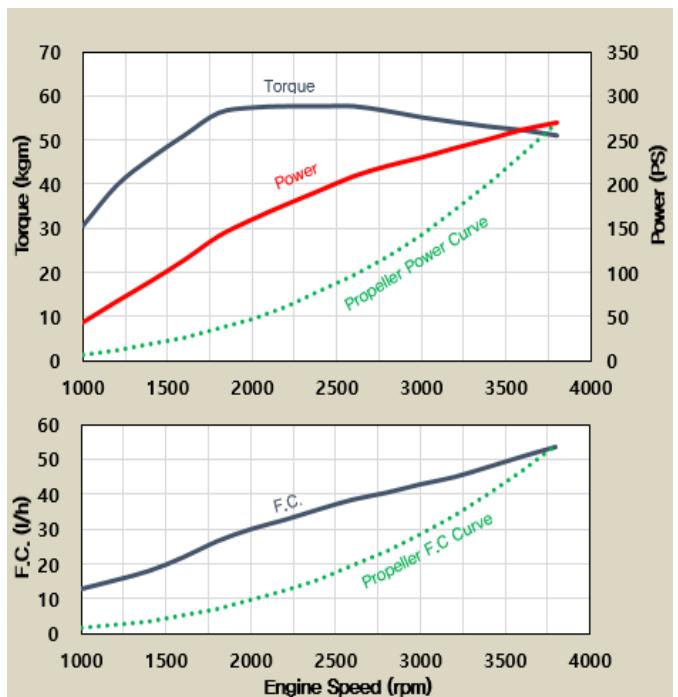
- Displays Engine Information
- Displays Boat Track on the Map
- Monthly User's Log Information
- Engine Diagnostic Functions
- Audible Warning Alarm and Visual Pop-up Screen



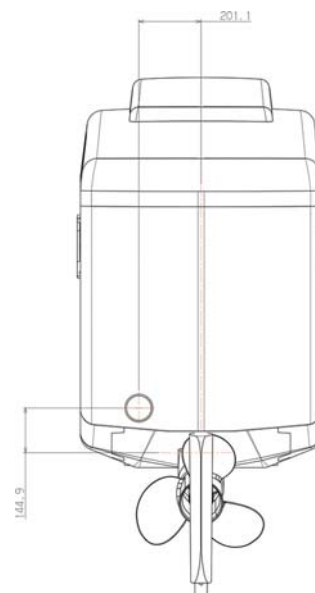
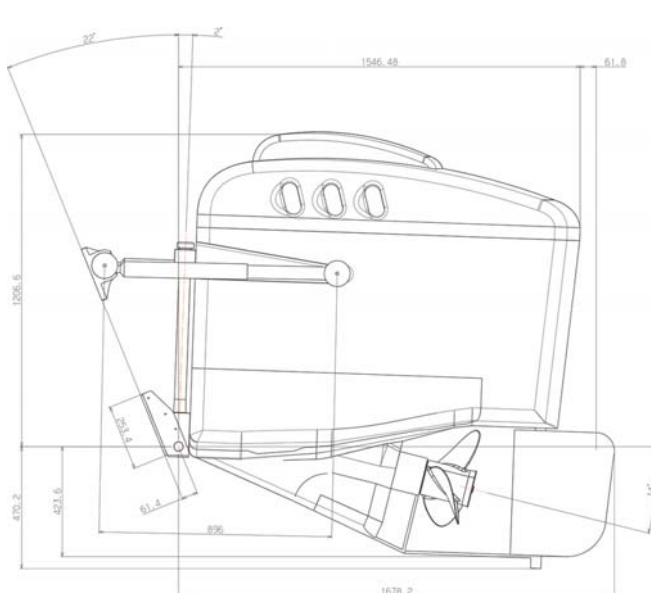
## Specifications

Engine type	S30-OB
Propulsion system	Diesel Outboard
Engine Duty Rating	S4, S5
Configuration	4-Stroke, 24-Valve DOHC, E-VGT with Intercooler, Fresh Water Cooling
Output [PS (kW)]	270 (199)
Rated rpm	3,800
Cylinders	In-line 6
Displacement [cc]	2,959
Bore X Stroke [mm]	84 × 89
Compression Ratio	1.5:1, 1.8:1, 2.0:1
Max. Torque @ rpm	57.6kg-m @2,000rpm
Injection System	Common Rail Direct injection (CRDI) - Piezo Injector
Alternator	12V-150A
Engine Diagnostics	YES
Fuel Consump.[L/h]	53.8
Dry Weight [kg]	625
Flywheel	SAE 14
Flywheel Housing	SAE 1

## Performance Curves



## Dimensions



(mm)